

# Measurement Flange - Aluminum

---

INFICON ISO-F quality fittings are manufactured according to ISO 1609, DIN 28404 and Pneurop 6606. Our quality large diameter fittings are the standard vacuum components for all vacuum and high vacuum lines. The high quality INFICON fittings are designed and tested for leak rates less than  $1 \times 10^{-9}$  mbar l/s.



## BENEFITS

---

- Competitively priced
- World wide logistics
- Design and measures follow strictly international respected standards
- Surface finish, welds, material specifications and cleanliness meet or exceed high vacuum specifications
- 2011/65/EU RoHS compliant

## ORDER INFORMATION

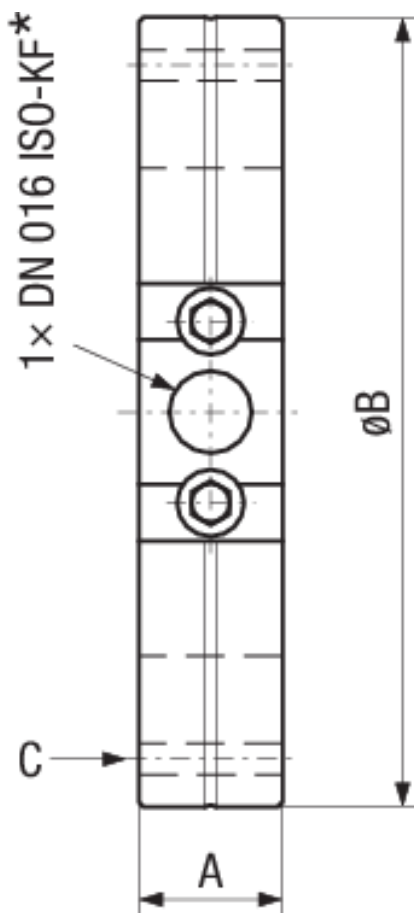
---

Type	DN 100 ISO-F	DN 160 ISO-F
Measurement flange cpl., Al, DN100ISO-F	212-142	
Measurement flange cpl., Al, DN160ISO-F		212-143

## SPECIFICATIONS

Type	DN 100 ISO-F	DN 160 ISO-F
Dimension A	30	30
Dimension B	165	225
Dimension C	M 8	M 10
Material:	Aluminum 6082	Aluminum 6082

## DIMENSIONS



[www.inficon.com](http://www.inficon.com) [reachus@inficon.com](mailto:reachus@inficon.com)

Due to our continuing program of product improvements, specifications are subject to change without notice. RateWatcher is a trademark of INFICON. All other trademarks are the property of their respective owners.

(2018-08) © 2018 INFICON