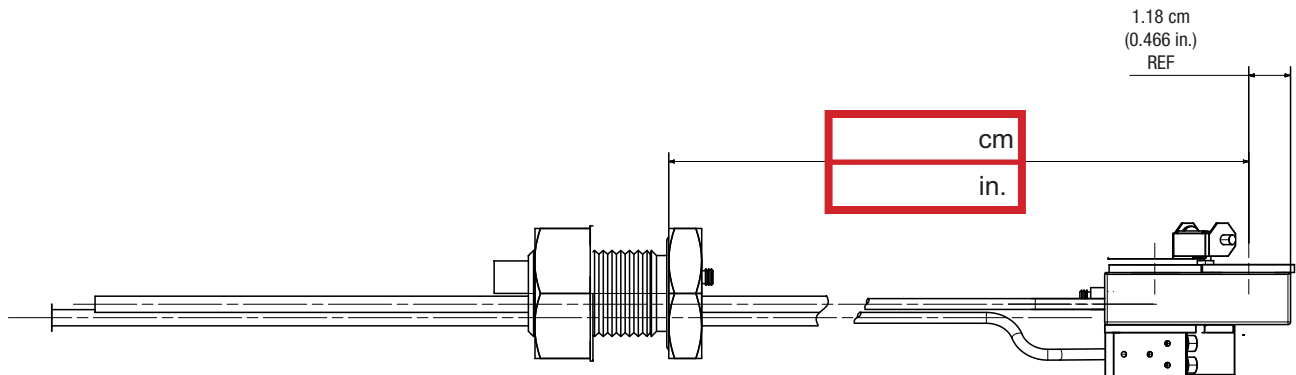


### Sensor Length Specification Form

Customer: \_\_\_\_\_ Sales Order #: \_\_\_\_\_

Due Date: \_\_\_\_\_ PO # \_\_\_\_\_

- Insert your required sensor length in the box below.
- Sign this form and fax back to INFICON at 315-434-2552, or e-mail to: \_\_\_\_\_



**Sensor length can be from 22.9 to 121.9 cm (9 to 48 in.)**

Other lengths may be available on request. These will be subject to additional cost and lead-time. Contact factory for availability.

Approximate three week lead-time from receipt of completed drawing for standard sensor length.

**Note:** Lengths have a tolerance of +/- 6.35 mm (0.25 in.)

Typical lead time is approximately three weeks from receipt of completed drawing for standard sensor length. Contact INFICON for a more accurate lead time estimate.

**IMPORTANT! The above mentioned lead-time does not start until INFICON has received this completed sensor length specification form.**

**PLEASE NOTE: This is a special sensor and cannot be restocked or cancelled.**

Customer Signature: \_\_\_\_\_