

## VSD200 differential switch

---

INFICON Vacuum Switches are designed for accurate and reliable pressure detection. These robust electronic switches are used in all vacuum applications, including pressure interlock. The switches are available in two versions, absolute (references vacuum) or differential (references ambient).

### ADVANTAGES

---

- Corrosion resistant all stainless steel design
- Robust design, cleanroom compliant
- Easy installation with setpoints factory preset or field-adjustable

### FEATURES

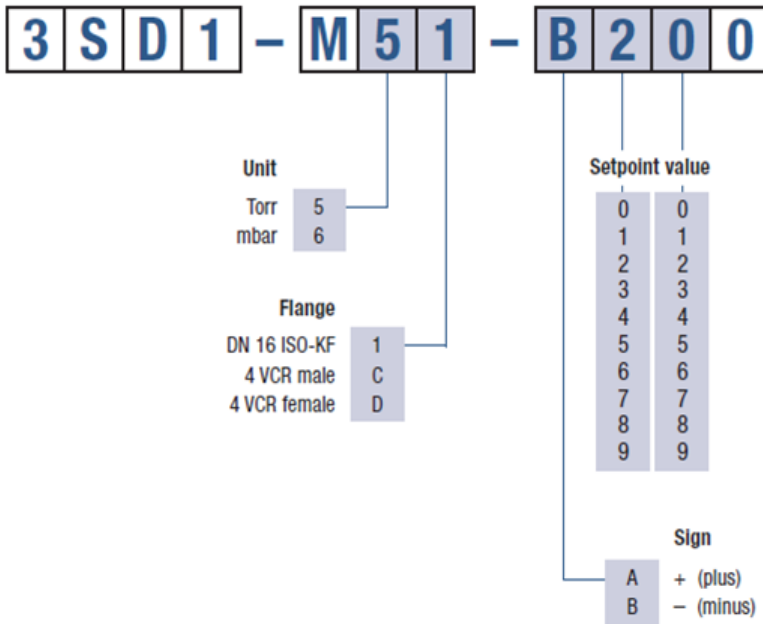
---

- IP 44 protection
- Relay output with potential free contacts
- High-accuracy temperature compensated sensor
- Pressure range  $1 \times 10^{-9}$  mbar ... 2 bar



## ORDER INFORMATION

### ORDERING INFORMATION VSD200 DIFFERENTIAL SWITCH



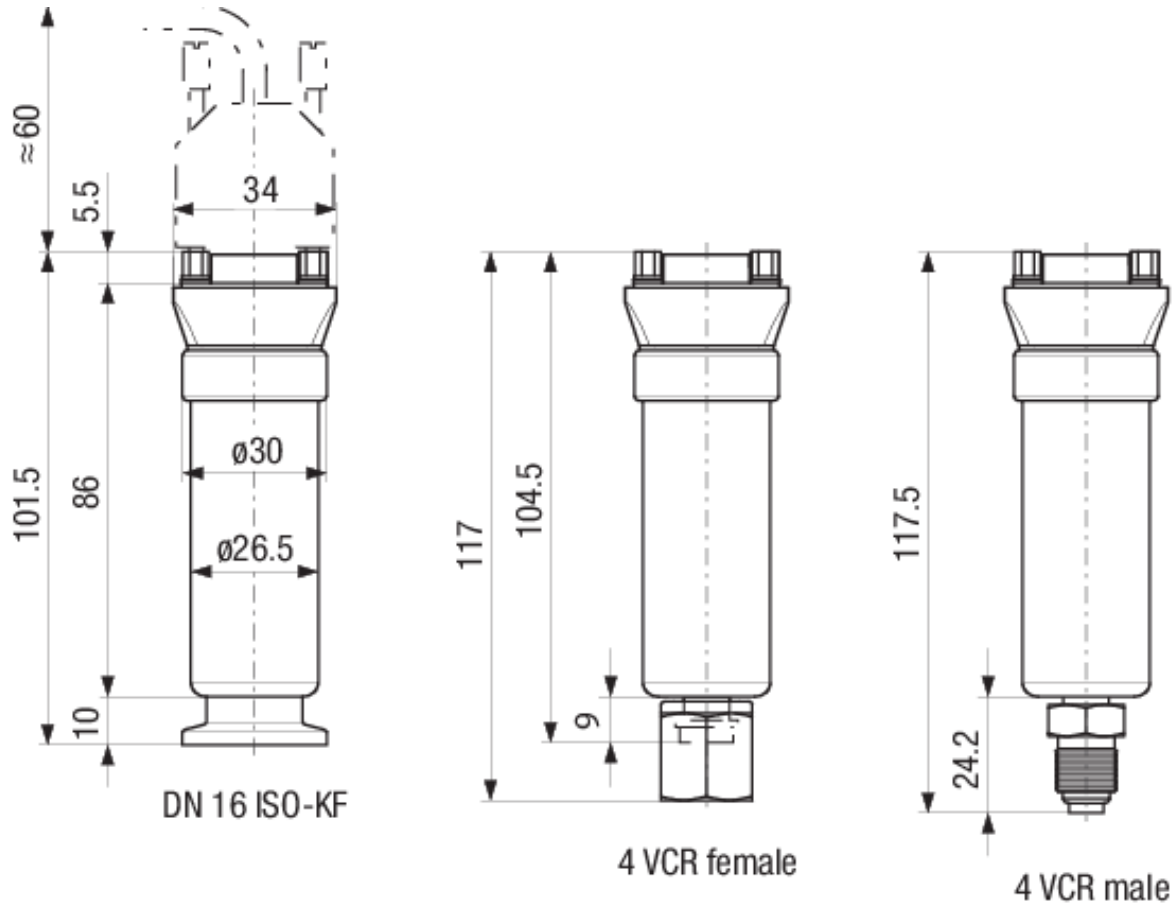
Example: 20 Torr below ambient pressure, DN 16 ISO-KF: **3SD1-M51-B200**

## SPECIFICATIONS

Type		-100 ... +50 mbar	-100 ... +50 Torr
Differential range (1)	mbar	-100 ... +50	-
Differential range (1)	Torr	-	-100 ... +50
Setpoint range	mbar	-99 ... +46	-
Setpoint range	Torr	-	-99 ... +46
Admissible pressure	bar (absolute)	2	2
Setpoint relay			
Relay output		n.o., n.c., potential free	n.o., n.c., potential free
Setpoint relay			
Contact rating	V (dc)	30	30
Setpoint relay			
Contact rating	A (dc)	1	1
Setpoint relay			
Contact rating	V (ac)	125	125
Setpoint relay			
Contact rating	A (ac)	0.3	0.3
Setpoint accuracy	percent FS	0.5	0.5
Temperature effect on zero and span	percent FS/°C	≤±0.02	≤±0.02
Response time	ms	≤45	≤45
Hysteresis	percent FS	2	2
Electrical connection		D-Sub, 9-pin	D-Sub, 9-pin
Supply voltage	V (dc)	14 ... 30	14 ... 30
Power consumption	W	<0.5	<0.5
Admissible temperature			
Operation (ambient)	°C	0 ... 70	0 ... 70
Storage	°C	-40 ... 80	-40 ... 80
Materials exposed to vacuum		stainless steel	stainless steel
Mounting orientation		any	any
Internal volume			
DN 16 ISO-KF	cm <sup>3</sup> (in. <sup>3</sup> )	2.81 (0.17)	2.81 (0.17)
4 VCR	cm <sup>3</sup> (in. <sup>3</sup> )	0.93 (0.057)	0.93 (0.057)
Weight	g	140	140
Degree of protection		IP 40	IP 40
Sensor protection		Short circuit protection and reverse polarity protection	Short circuit protection and reverse polarity protection

(1) References to ambient pressure.

## DIMENSIONS



[www.inficon.com](http://www.inficon.com) [reachus@inficon.com](mailto:reachus@inficon.com)

Due to our continuing program of product improvements, specifications are subject to change without notice. RateWatcher is a trademark of INFICON. All other trademarks are the property of their respective owners.

(2020-06) © 2020 INFICON