

PEG050

Penning Gauge

The Penning Gauge PEG050 provides reliable high vacuum measurements. The rugged penning cold cathode sensor has no filament to burn out. Due to titanium cathode plates and the reduced high voltage after plasma ignition, the gauge can be operated also in sputtering applications.

ADVANTAGES

- Rugged
- Insensitive to air inrushes and vibrations
- Easy disassembly and cleaning of the measurement system
- Exchangeable cathode plate
- Improved ignition characteristics through patented anode design
- Titan cathodes plates grant longer lifetime



OPERATING UNITS

- Vacuum Gauge Controller VGC023

ORDERING INFORMATION

Type	PEG050
DN 25 ISO-KF	399-510
DN 40 ISO-KF	399-511
Replacement kit, consisting of: Cathode plate (5 pcs.) Ceramic disc (5 pcs.) Gauge for clearance distance	351-490
Replacement anode ring	351-499

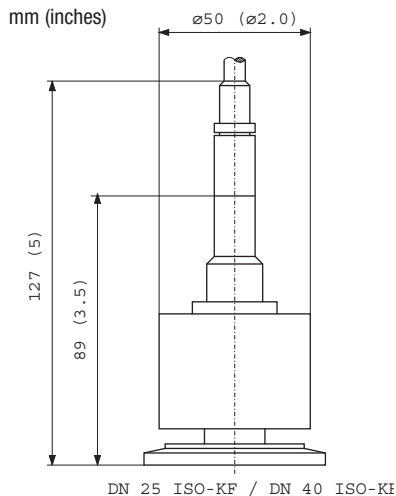
Ordering information for cables see Data Sheet of VGC023 (tiba17e1)

SPECIFICATIONS

		PEG050
Measurement range	mbar (Torr)	1×10^{-9} to 10^{-2} (0.75×10^{-9} to 10^{-2})
High voltage supply (anode potential)	kV	+ 3.3 / +1.6
Temperature		
Operation (ambient)	°C	0 to +80
Storage	°C	-25 to +80
Pressure, max. absolute	bar	6
Internal volume	cm ³ (inch ³)	21 (1.28)
Materials exposed to vacuum		Stainless steel, CrNi, AL ₂ O ₃ , Ti
Weight, approx.		
DN 25 ISO-KF / DN 40 ISO-KF	kg	0.3 / 0.4

Additional specifications see Data Sheet or Operating Manual VGC023

DIMENSIONS



GLOBAL HEADQUARTERS:

Two Technology Place, East Syracuse, NY 13057 USA
 Tel: +1.315.434.1100 Fax: +1.315.437.3803 E-mail: reachus@inficon.com

UNITED STATES FRANCE GERMANY LIECHTENSTEIN SWITZERLAND UNITED KINGDOM CHINA JAPAN KOREA SINGAPORE TAIWAN

Visit our website for contact information and other sales offices worldwide. www.inficon.com
 Due to our continuing program of product improvements, specifications are subject to change without notice.
 tiba18e1 (2004-05) ©2003 INFICON