

## Adaptor ISO-KF / NPT Female

---

INFICON ISO-KF fittings are manufactured according to ISO 2861/1, DIN 28403 and Pneurop 6606. Our quality fittings are the standard components for all vacuum and high vacuum applications. The high quality INFICON components are designed and tested for leak rates less than  $1 \times 10^{-9}$  mbar l/s.



### BENEFITS

---

- Competitively priced
- World wide logistics
- Design and measures follow strictly international respected standards
- Surface finish, welds, material specifications and cleanliness meet or exceed high vacuum specifications
- 2011/65/EU RoHS compliant

### ORDER INFORMATION

---

Type	DN 16 ISO- KF / 1/8" NPT	DN 16 ISO- KF / 1/4" NPT	DN 25 ISO- KF / 1/8" NPT	DN 25 ISO- KF / 1/4" NPT	DN 25 ISO- KF / 1/2" NPT	DN 25 ISO- KF / 1" NPT
.Adaptor DN 16 KF - 1/8 NPT, female	211-566					
Adaptor DN 16 KF - 1/4 NPT, female		211-567				
Adaptor DN 25 KF - 1 NPT, female						211-572
Adaptor DN 25 KF - 1/2 NPT, female					211-571	
Adaptor DN 25 KF - 1/4 NPT, female				211-570		
Adaptor DN 25 KF - 1/8 NPT, female			211-569			
Adaptor DN 40 KF - 1 NPT, female						
Adaptor DN 40 KF - 1/2 NPT, female						
Adaptor DN 40 KF - 1/4 NPT, female						

## SPECIFICATIONS

Type	DN 16 ISO- KF / 1/8" NPT	DN 16 ISO- KF / 1/4" NPT	DN 25 ISO- KF / 1/8" NPT	DN 25 ISO- KF / 1/4" NPT	DN 25 ISO- KF / 1/2" NPT	DN 25 ISO- KF / 1" NPT
Dimension A	19	19	19	19	26	42
Dimension B	10	13	10	13	18	24
Dimension C	12	15	12	15	25	25
Dimension D	1/8-27 NPT	1/4-18 NPT	1/8-27 NPT	1/4-18 NPT	1/2-14 NPT	1-11 1/2 NPT
Material:	Stainless Steel 303 / 1.4305	Stainless Steel 303 / 1.4305	Stainless Steel 303 / 1.4305	Stainless Steel 303 / 1.4305	Stainless Steel 303 / 1.4305	Stainless Steel 303 / 1.4305

DN 40 ISO- KF / 1/4" NPT	DN 40 ISO- KF / 1/2" NPT	DN 40 ISO- KF / 1" NPT
--------------------------------	--------------------------------	---------------------------

211-576

211-575

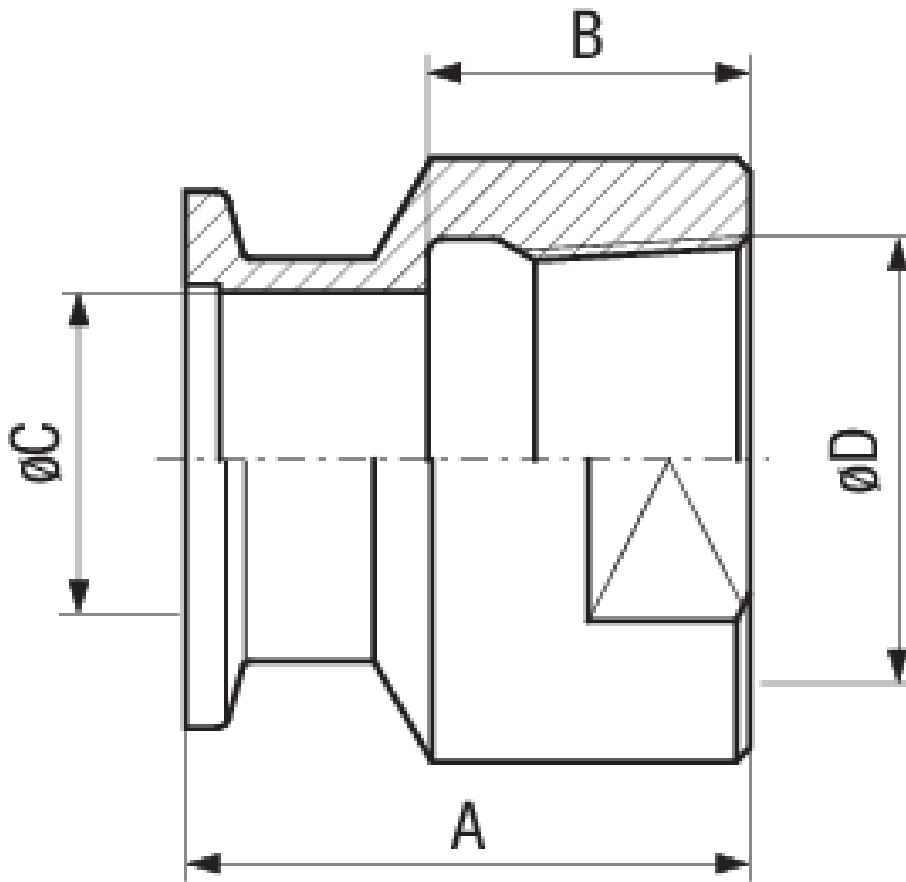
211-574

## SPECIFICATIONS

Type	DN 40 ISO- KF / 1/4" NPT	DN 40 ISO- KF / 1/2" NPT	DN 40 ISO- KF / 1" NPT
Dimension A	19	26	26
Dimension B	13	18	23
Dimension C	15	25	29
Dimension D	1/4-18 NPT	1/2-14 NPT	1-11 1/2 NPT
Material:	Stainless Steel 303 / 1.4305	Stainless Steel 303 / 1.4305	Stainless Steel 303 / 1.4305

## DIMENSIONS

---



[www.inficon.com](http://www.inficon.com)    [reachus@inficon.com](mailto:reachus@inficon.com)

Due to our continuing program of product improvements, specifications are subject to change without notice.  
RateWatcher is a trademark of INFICON. All other trademarks are the property of their respective owners.

(2018-08)    © 2018 INFICON