



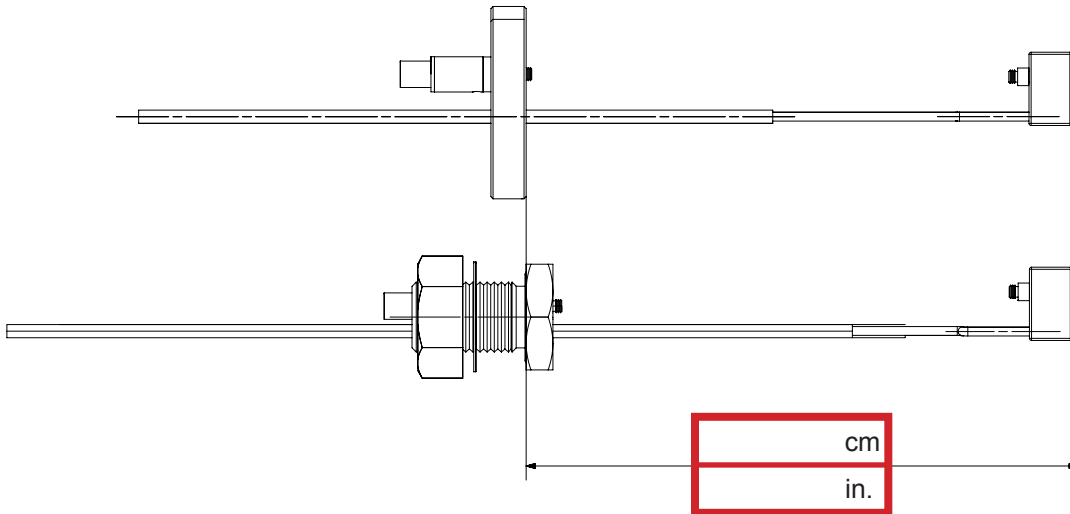
Part # **SL-B0E37**
SL-B1E37
SL-B0E47
SL-B0G37
SL-B1G37
SL-B0G47

Sensor Length Specification Form

Customer: _____ Sales Order #: _____

Due Date: _____ PO # _____

- Insert your required sensor length in the box below.
- Sign this form and fax back to INFICON at 315-434-2552, or e-mail to: _____



For SL-BxExx Sensors, the sensor length can be from 203 to 711 mm (8 to 28 in.)
For SL-BxGxx Sensors, the sensor length can be from 711 to 1219 mm (28 to 48 in.)

Other lengths may be available on request. These will be subject to additional cost and lead-time. Contact factory for availability.

Note: Lengths have a tolerance of +/- 6.35 mm (0.25 in.)

Typical lead time is approximately three weeks from receipt of completed drawing for standard sensor length. Contact INFICON for a more accurate lead time estimate.

IMPORTANT! The above mentioned lead-time does not start until INFICON has received this completed sensor length specification form.

PLEASE NOTE: This is a special sensor and cannot be restocked or cancelled.

Customer Signature: _____